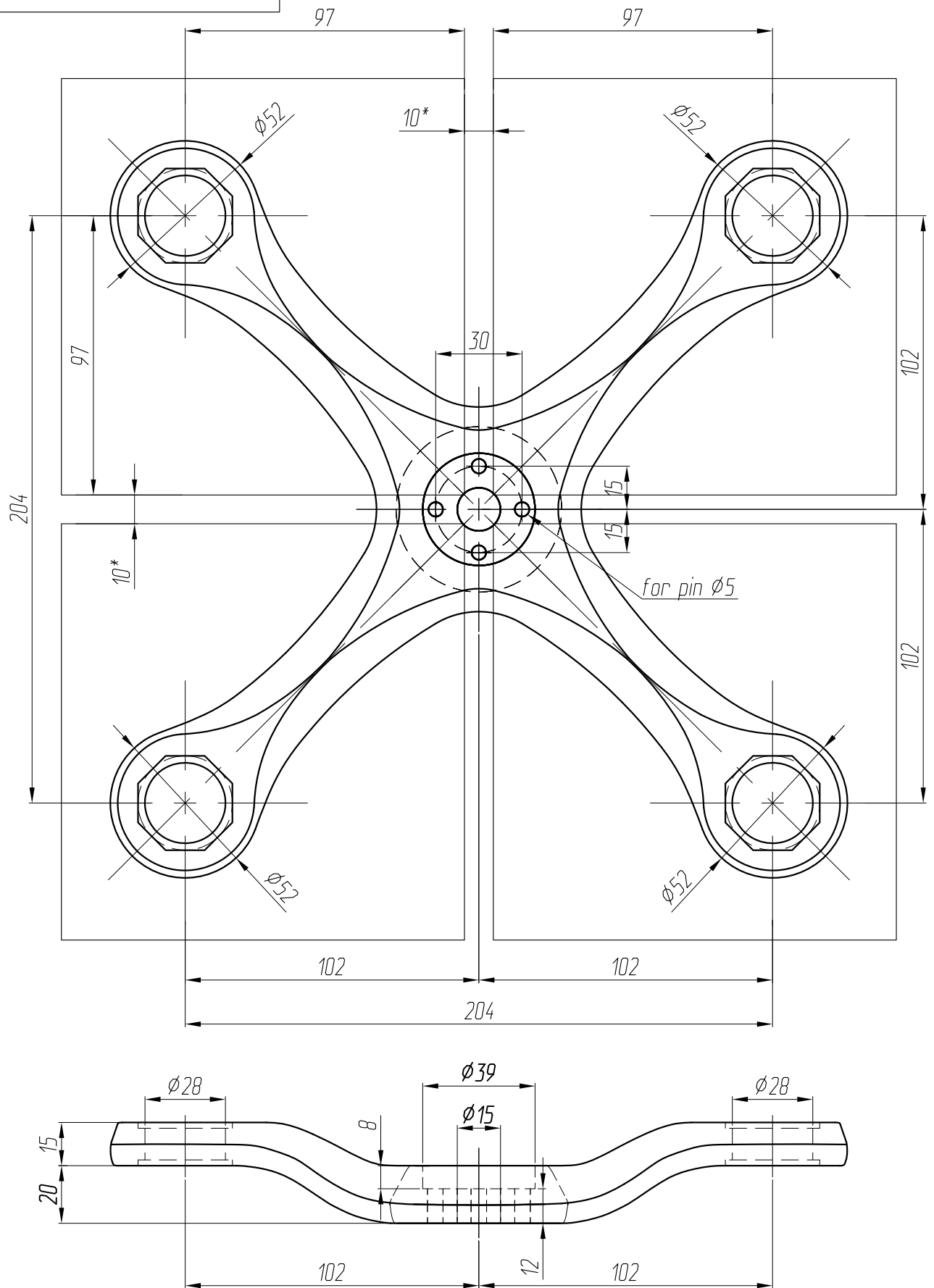


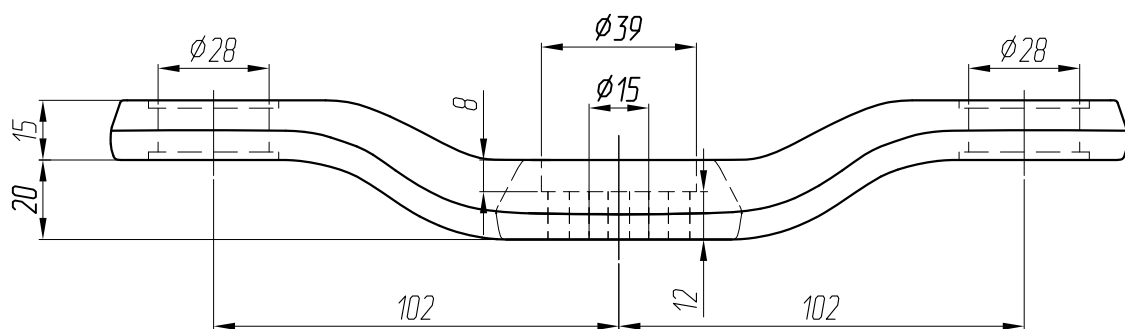
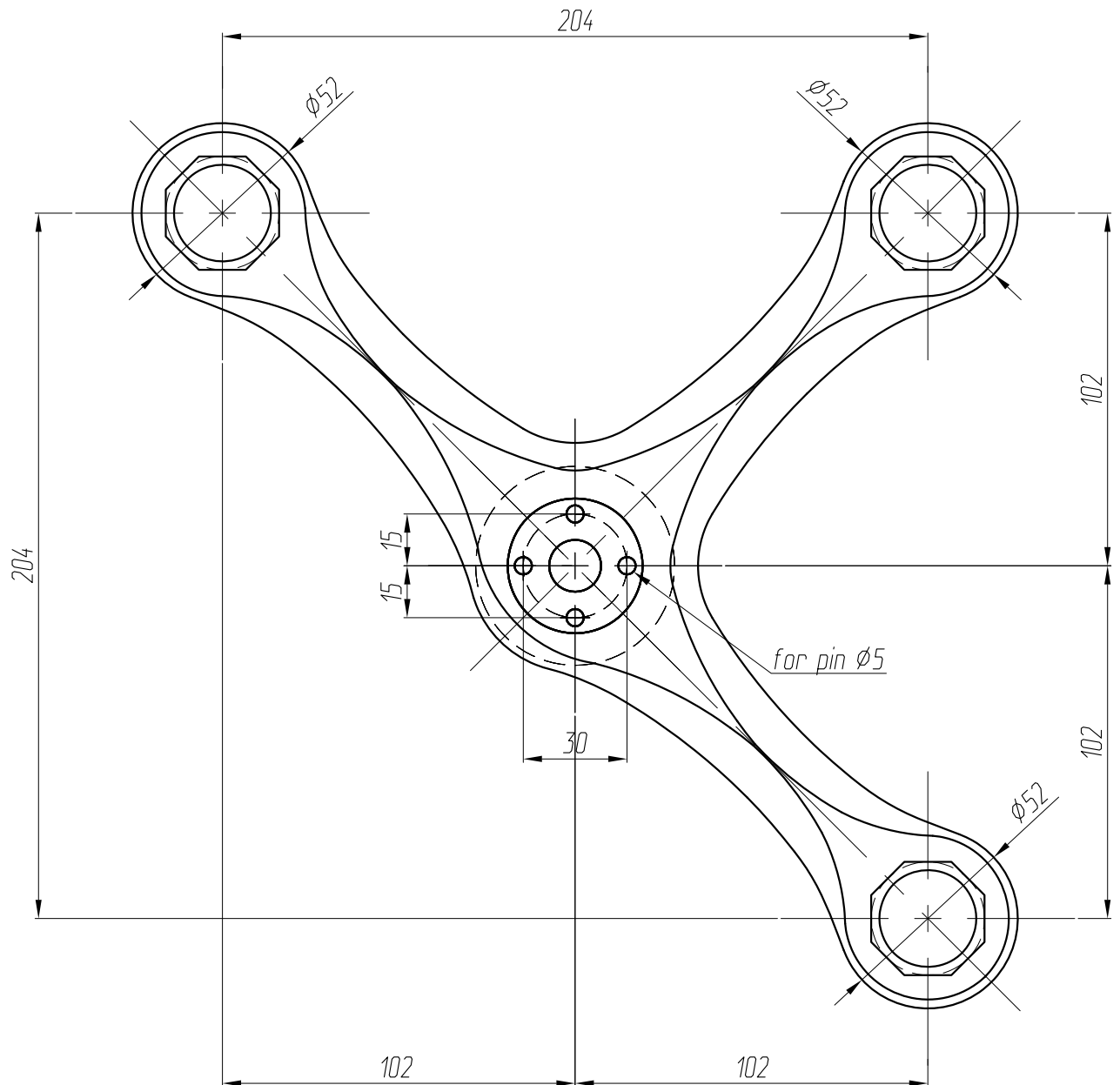
ARP-300-4dt



\*for a full list of recommendations, see GOST 30698-2014

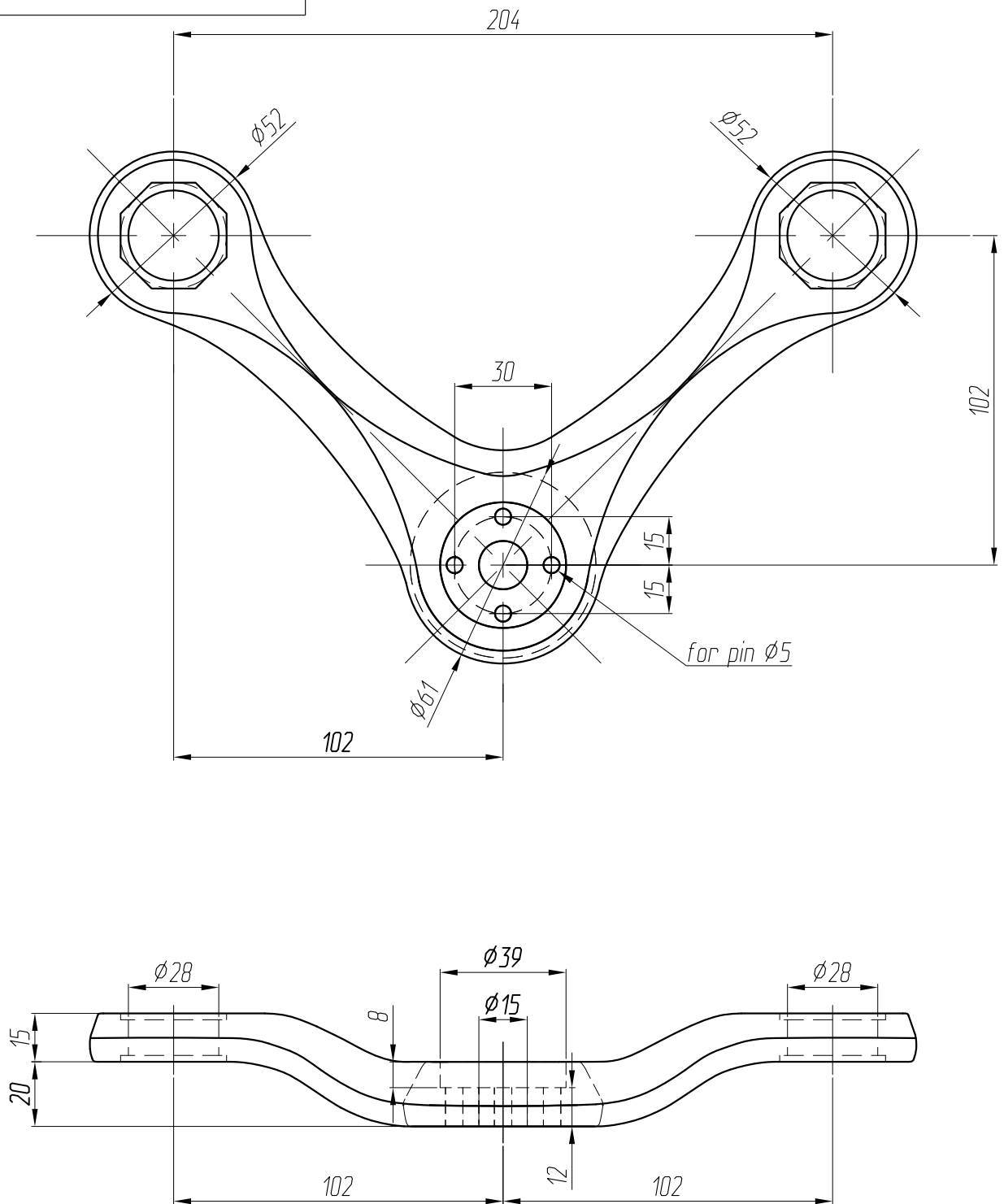
AISI 316  
Weight: 2,10 kg

ARP-300-3dt



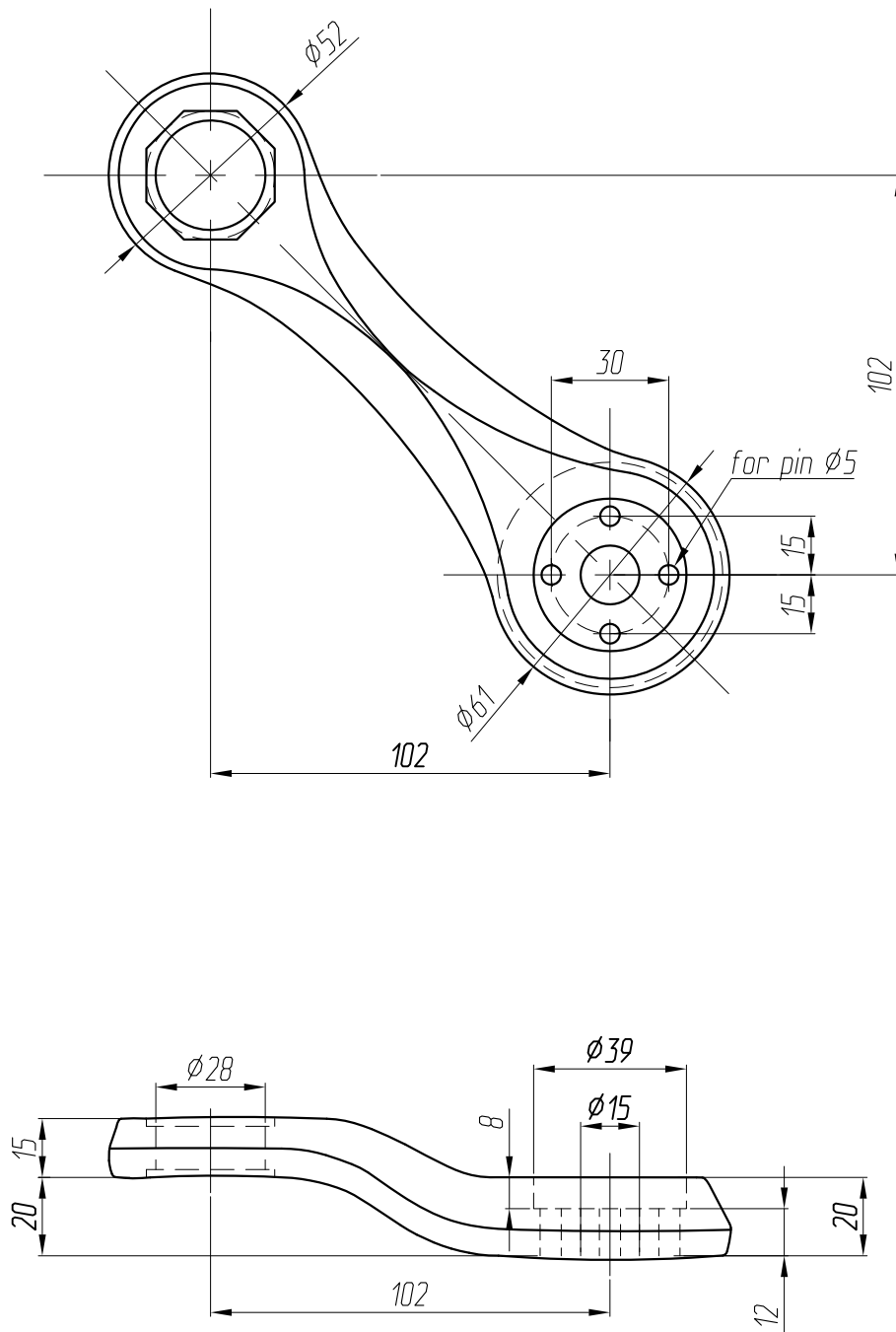
AISI 316  
Weight: 1,68 kg

ARP-300-2dt-90



AISI 316  
Weight: 1,20 kg

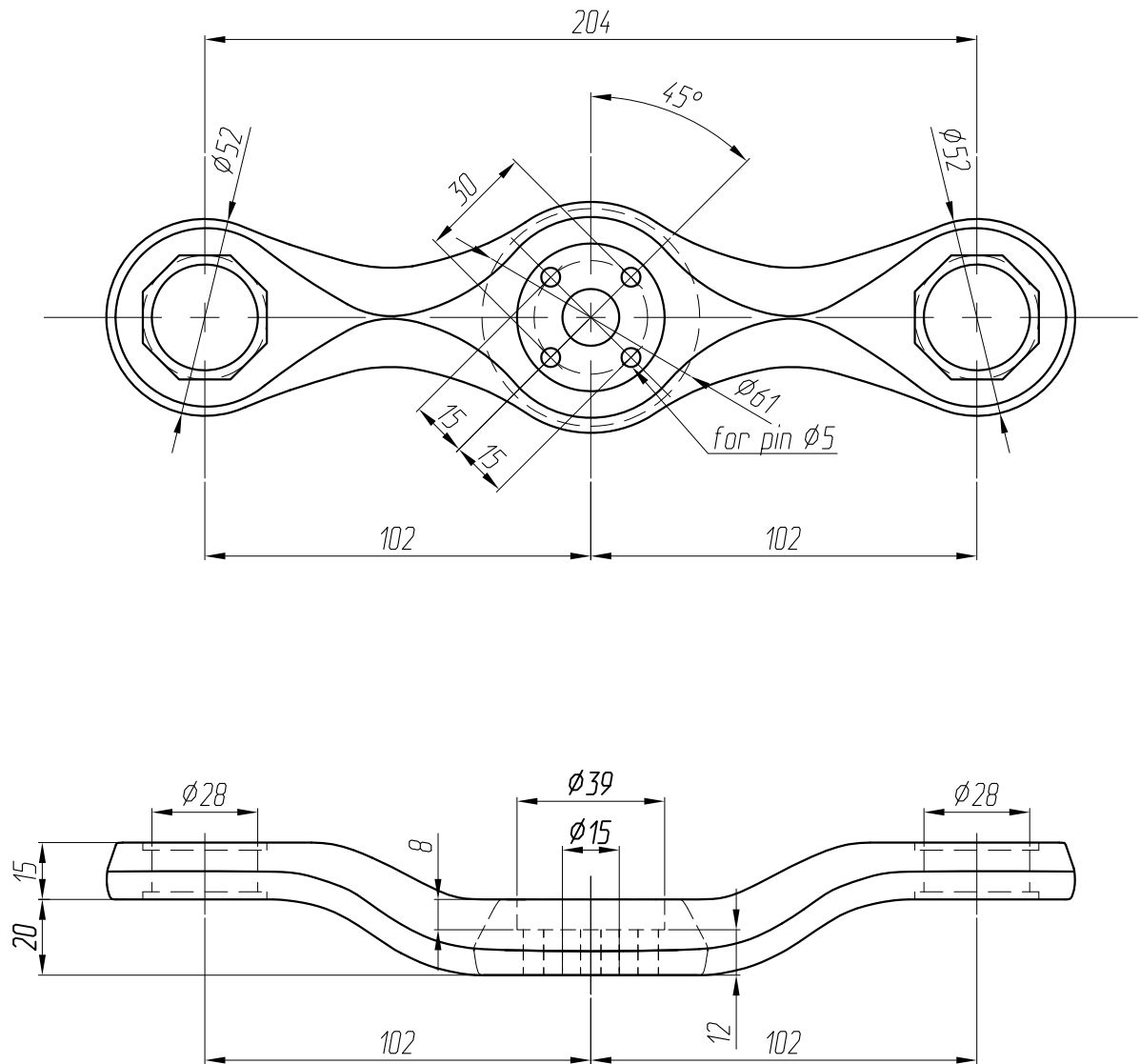
ARP-300-1dt-90



AISI 316

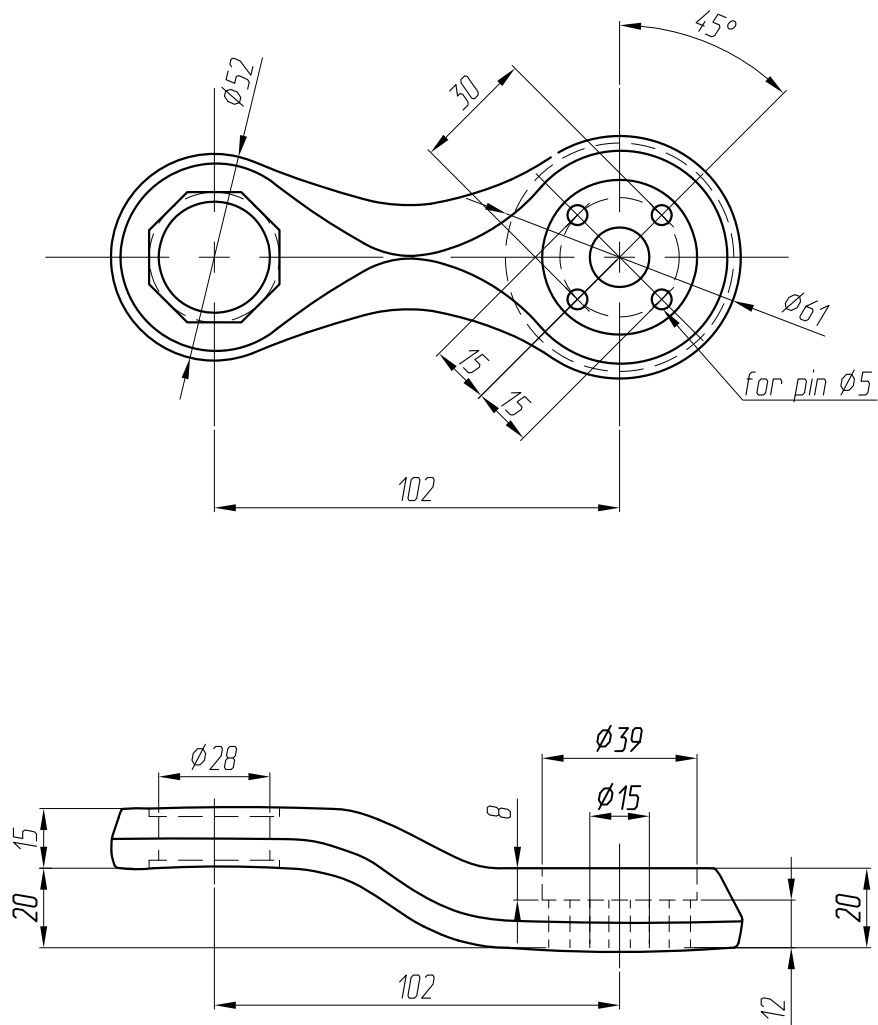
Weight: 0,75 kg

ARP-300-2dt-180



AISI 316  
Weight: 1,68 kg

ARP-300-1dt-180



AISI 316  
Weight: 1,68 kg