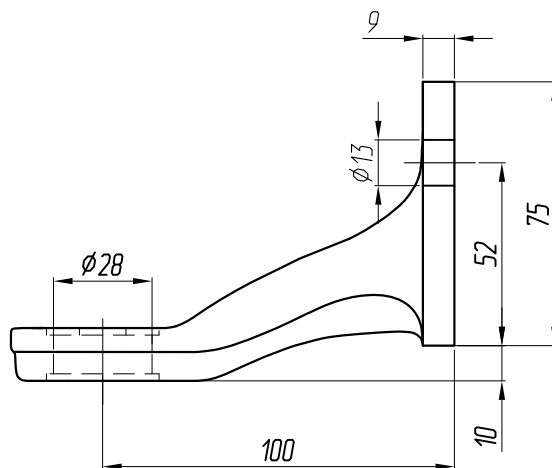
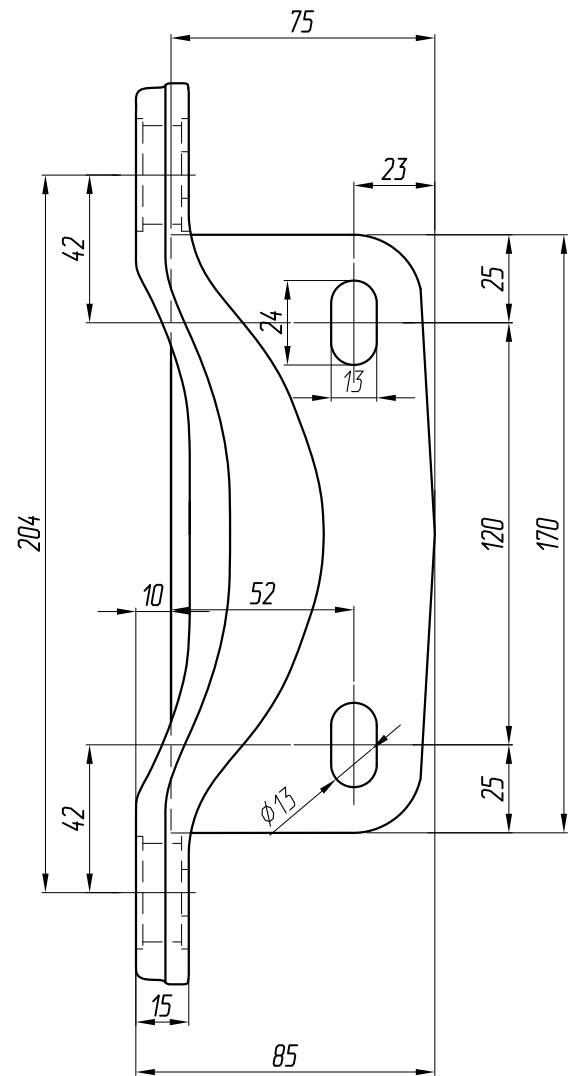
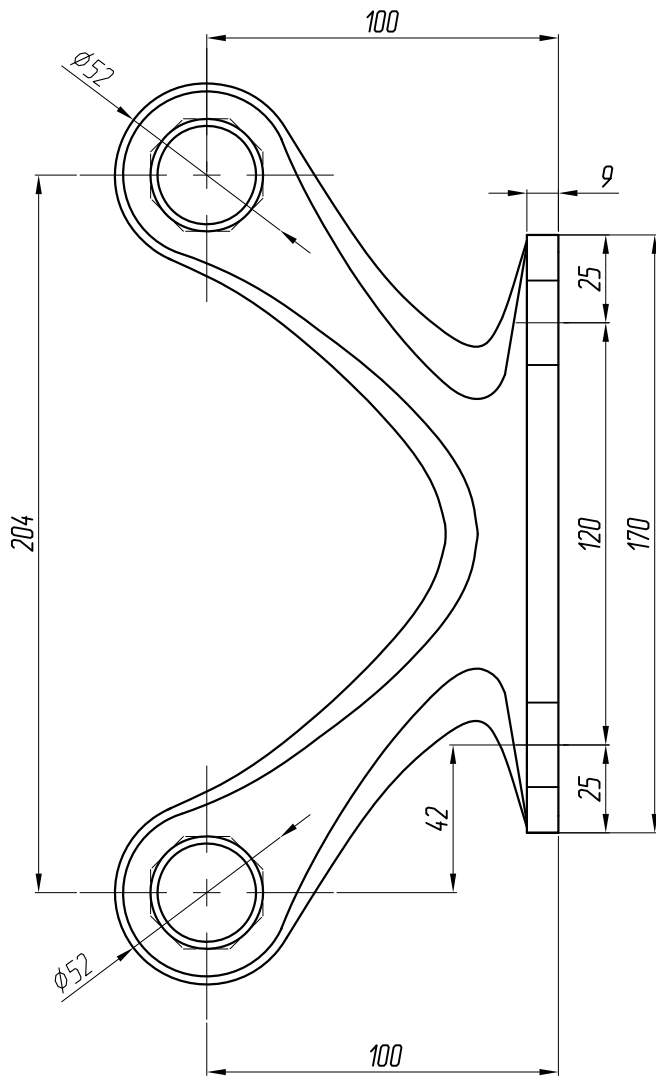


ARP-100-2dt



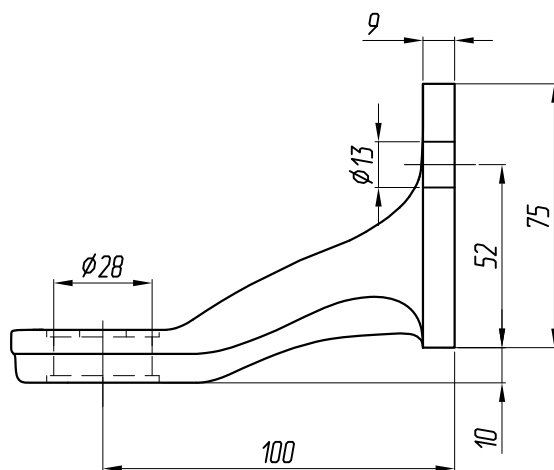
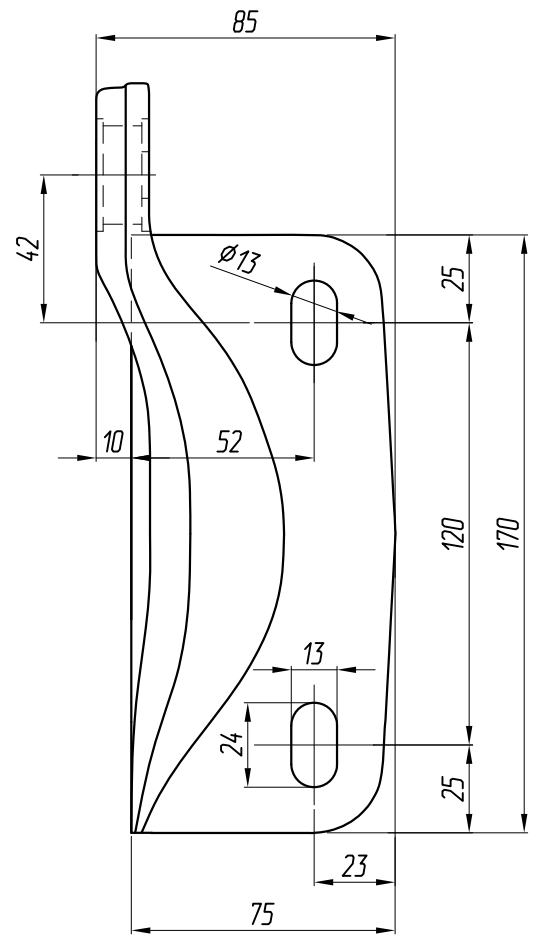
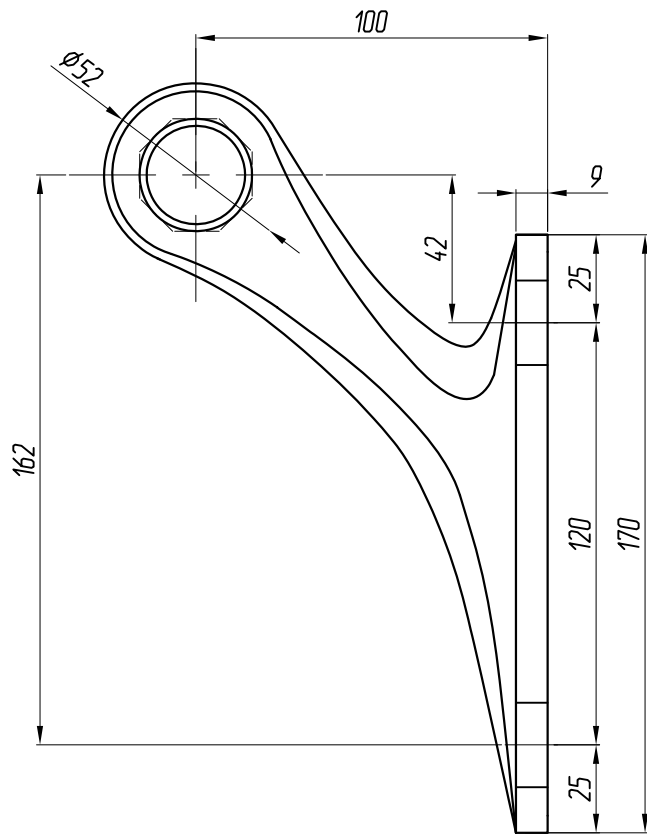
AISI 316

Weight: 2,30 kg

WWW.ARPRUS.COM

INFO@ARPRUS.COM

ARP-100-1dt-90-L



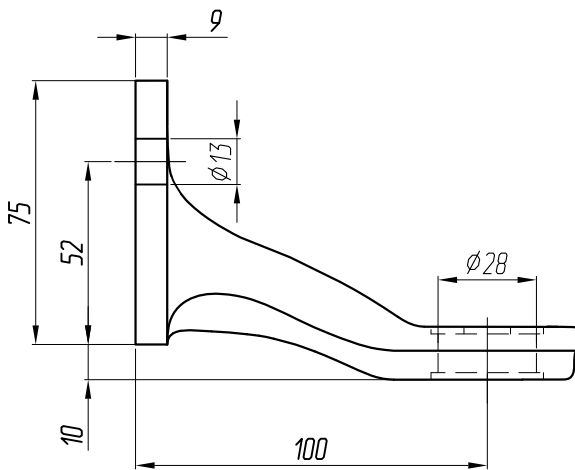
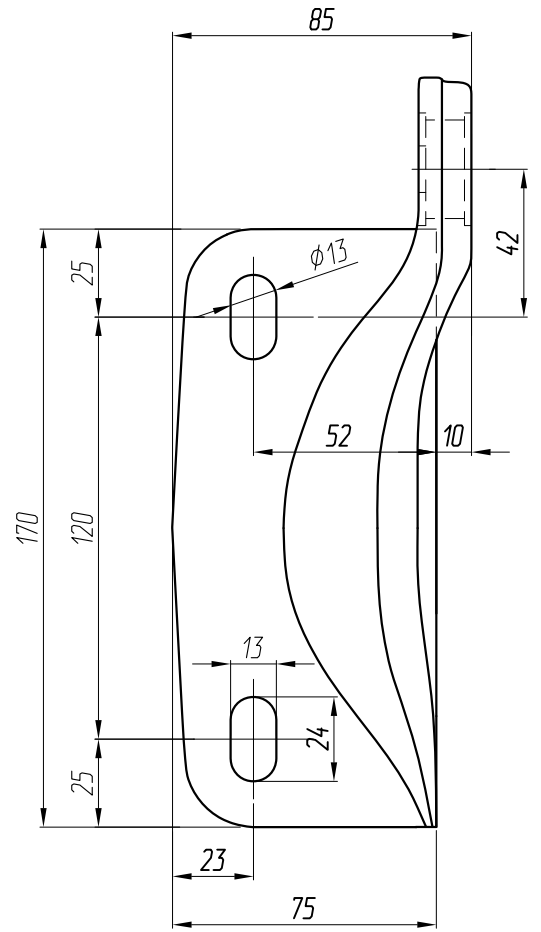
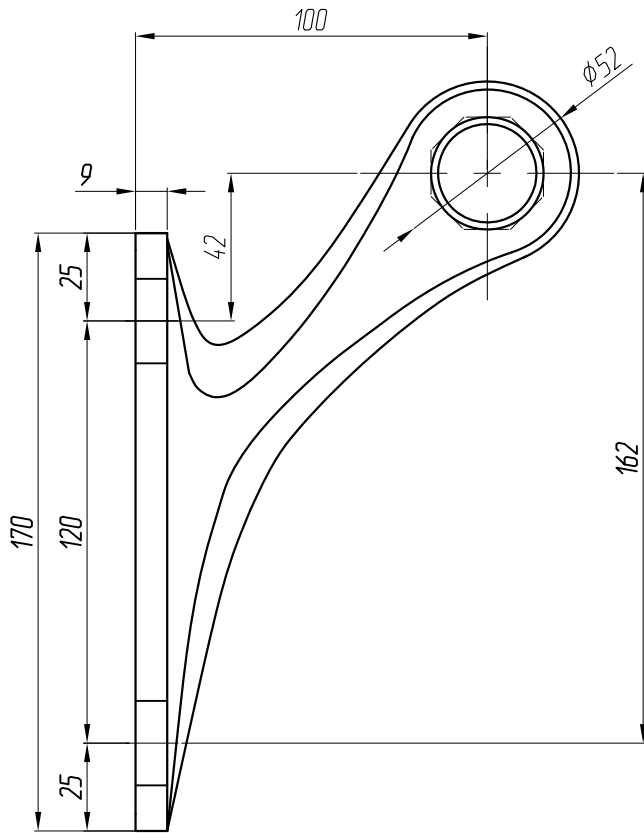
AISI 316

Weight: 1,65 kg

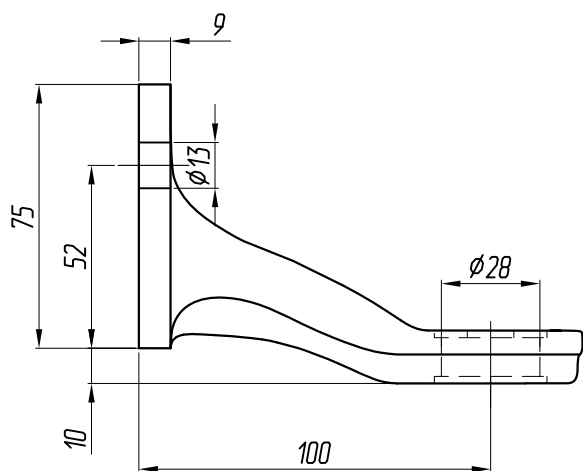
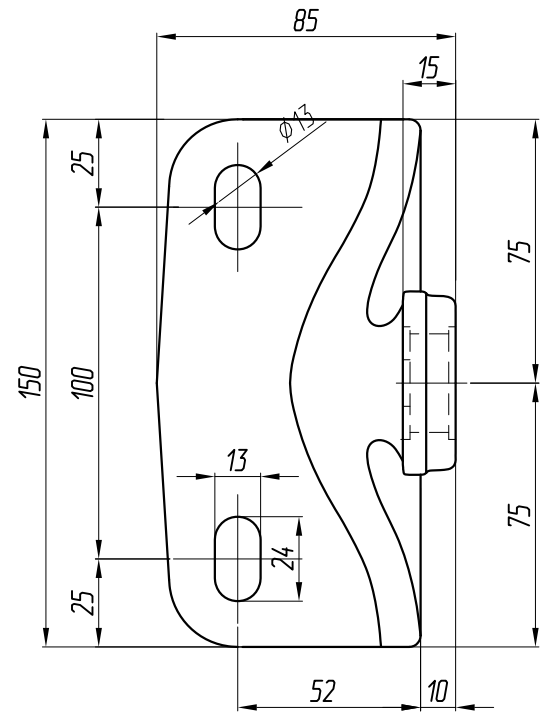
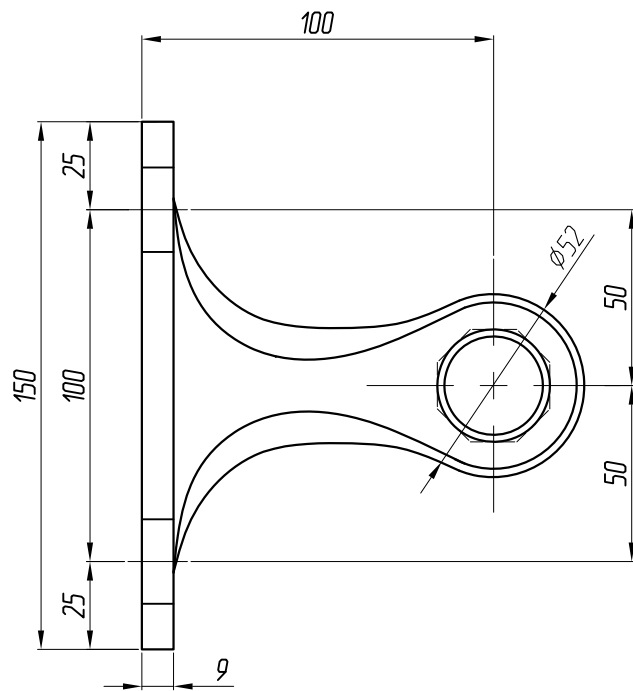
WWW.ARPRUS.COM

INFO@ARPRUS.COM

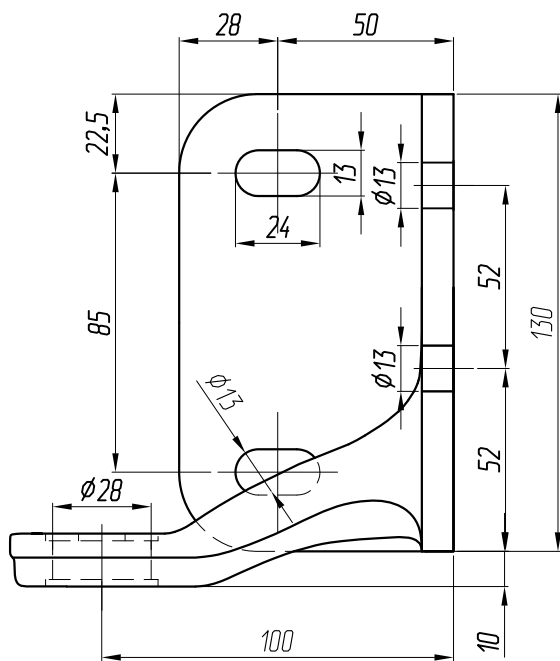
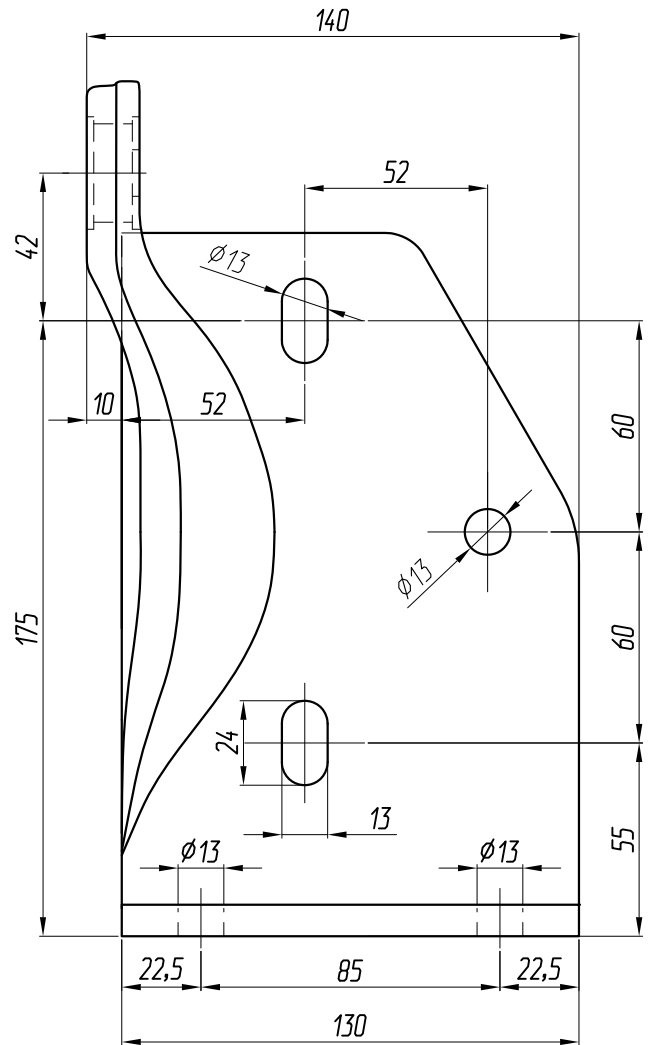
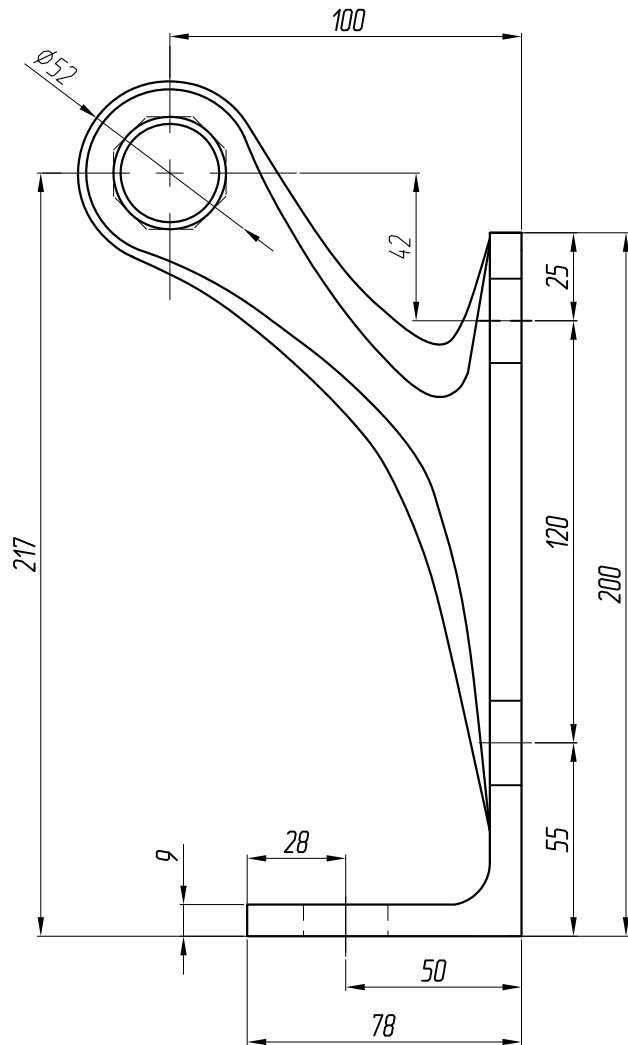
ARP-100-1dt-90-R



ARP-100-1dt-180



ARP-100-1dt-90-PL



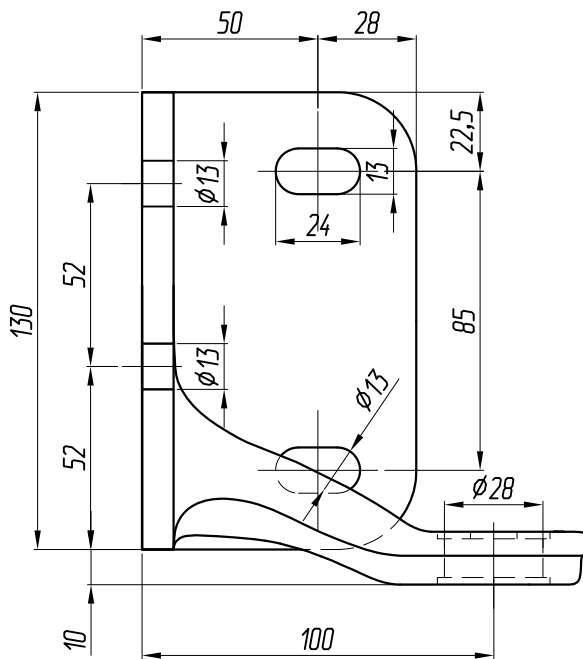
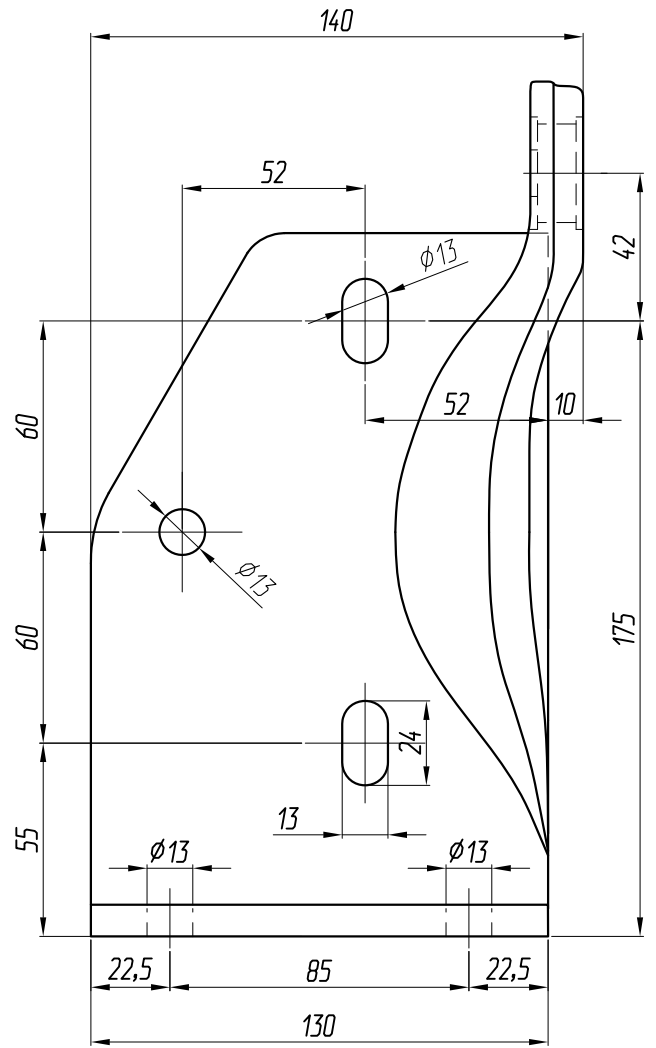
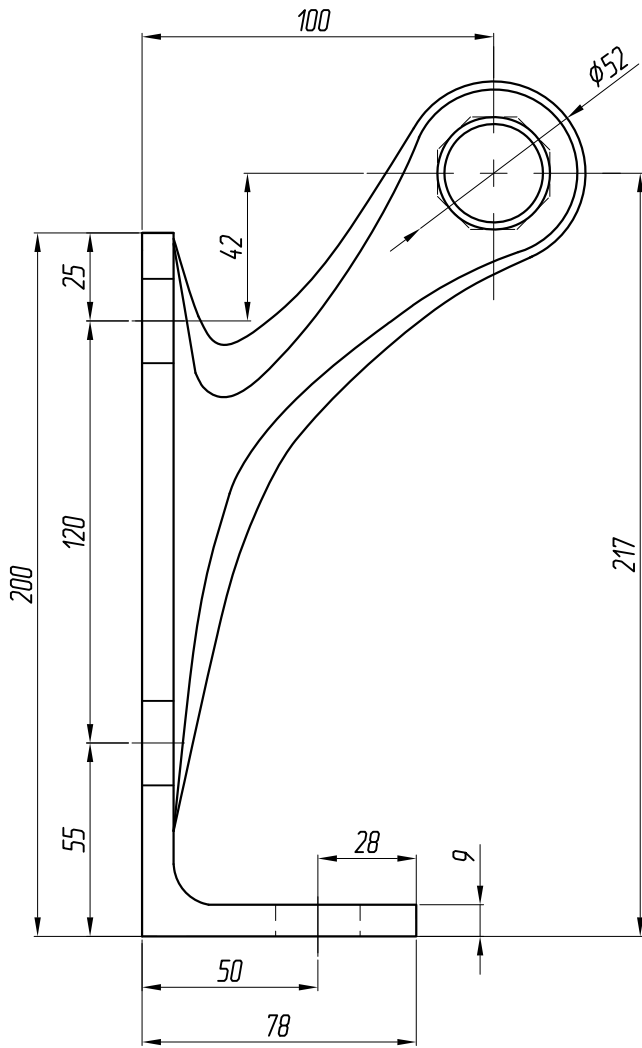
AISI 316

Weight: 3,00 kg

WWW.ARPRUS.COM

INFO@ARPRUS.COM

ARP-100-1dt-90-PR



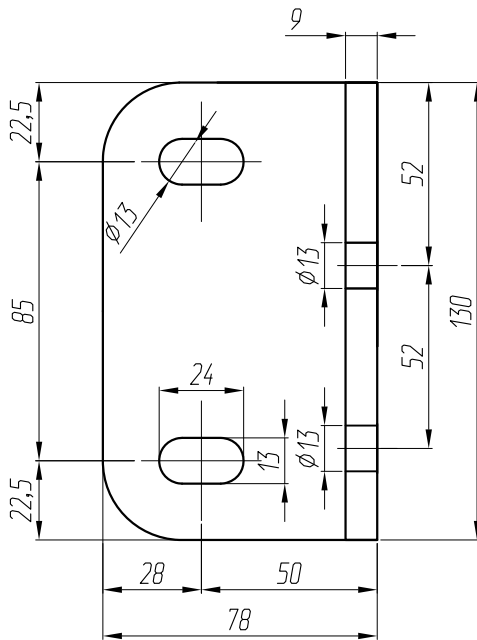
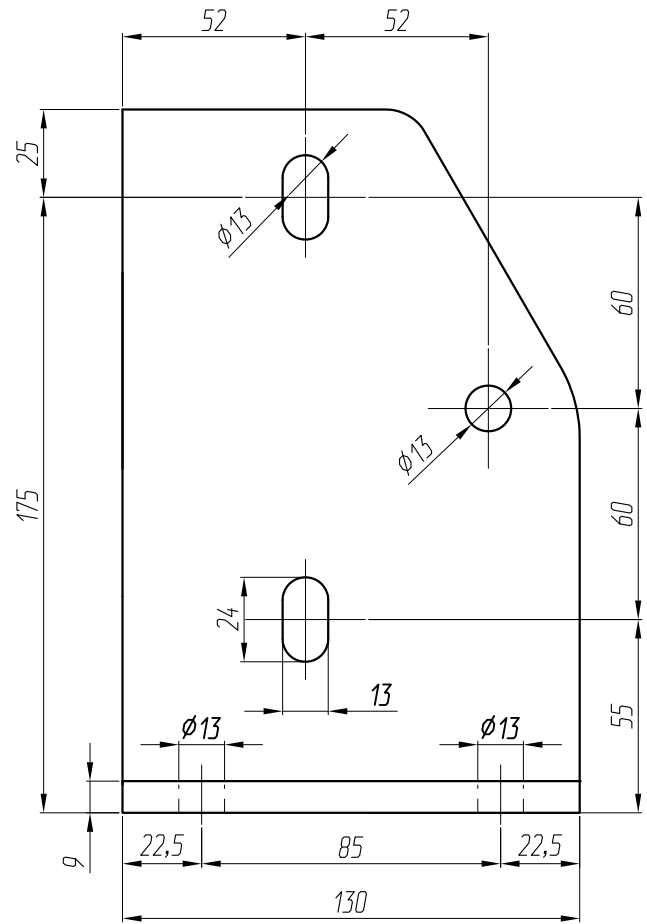
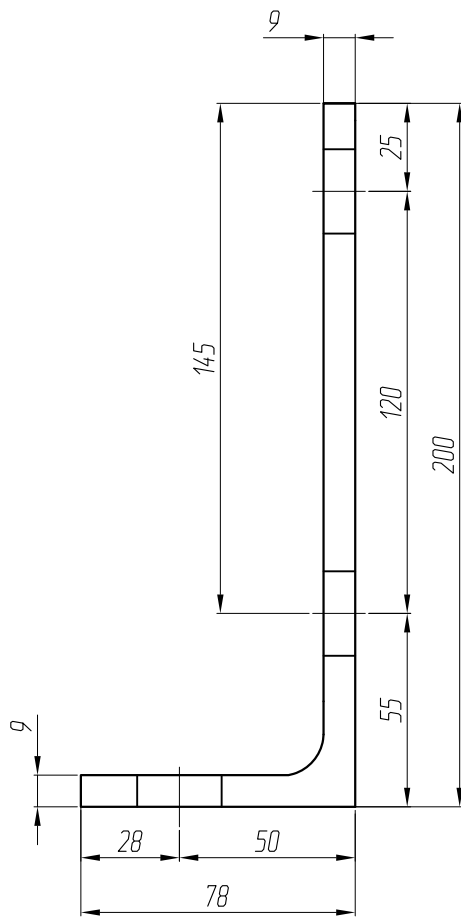
AISI 316

Weight: 3,00 kg

WWW.ARPRUS.COM

INFO@ARPRUS.COM

ARP-100-PL



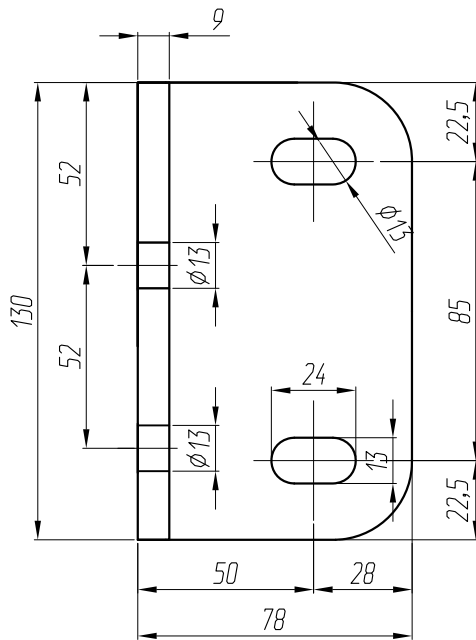
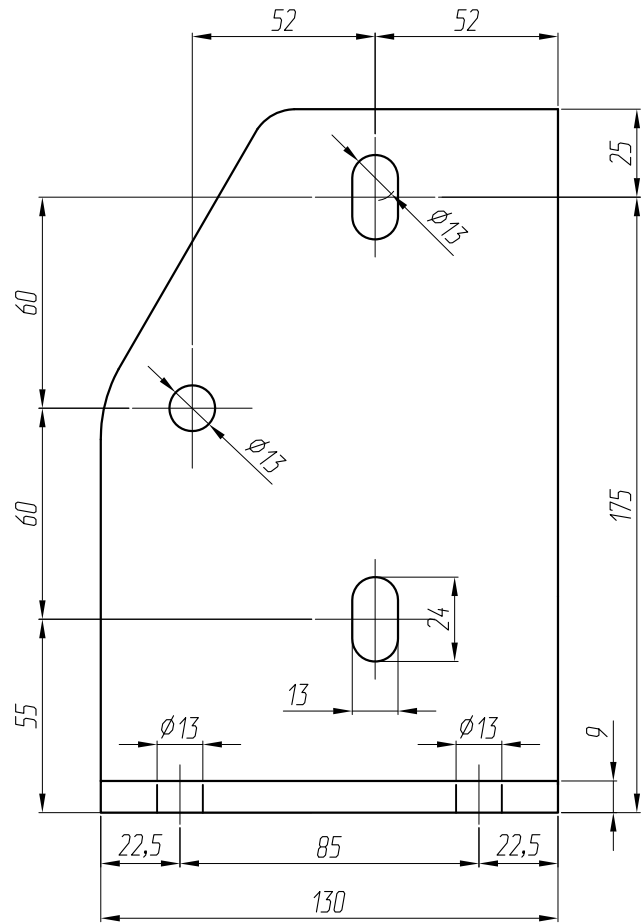
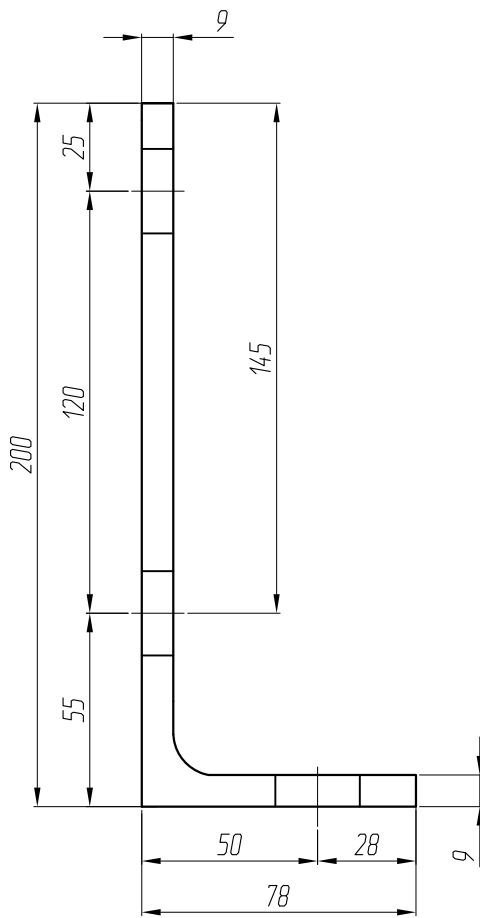
AISI 316

Weight: 2,40 kg

WWW.ARPRUS.COM

INFO@ARPRUS.COM

ARP-100-PR



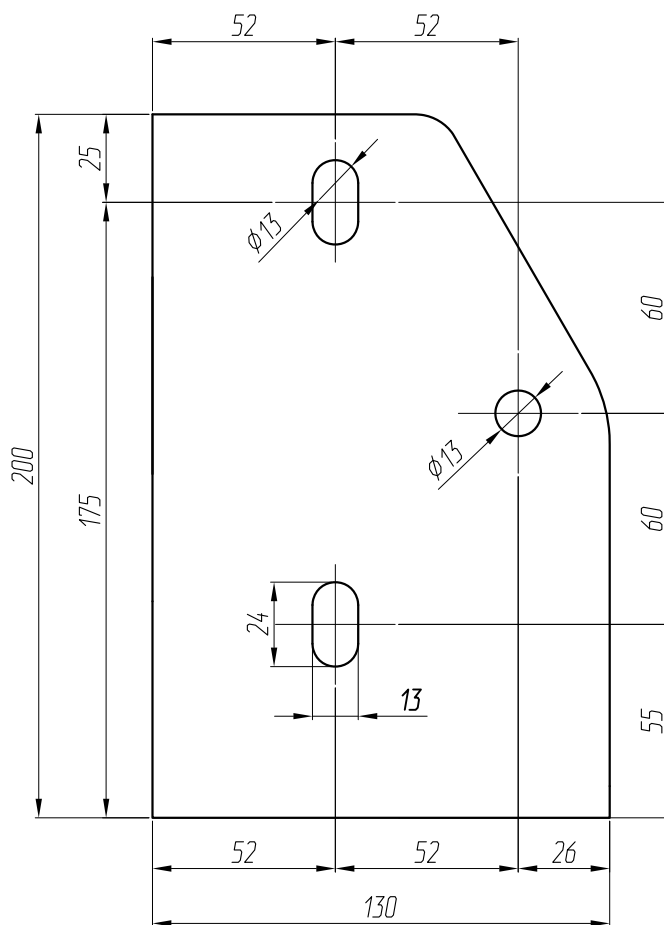
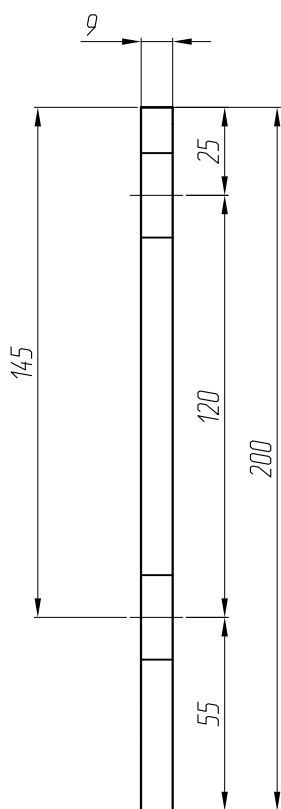
AISI 316

Weight: 2,40 kg

WWW.ARPRUS.COM

INFO@ARPRUS.COM

ARP-100-P-B



AISI 316

Weight: 1,80 kg

WWW.ARPRUS.COM

INFO@ARPRUS.COM