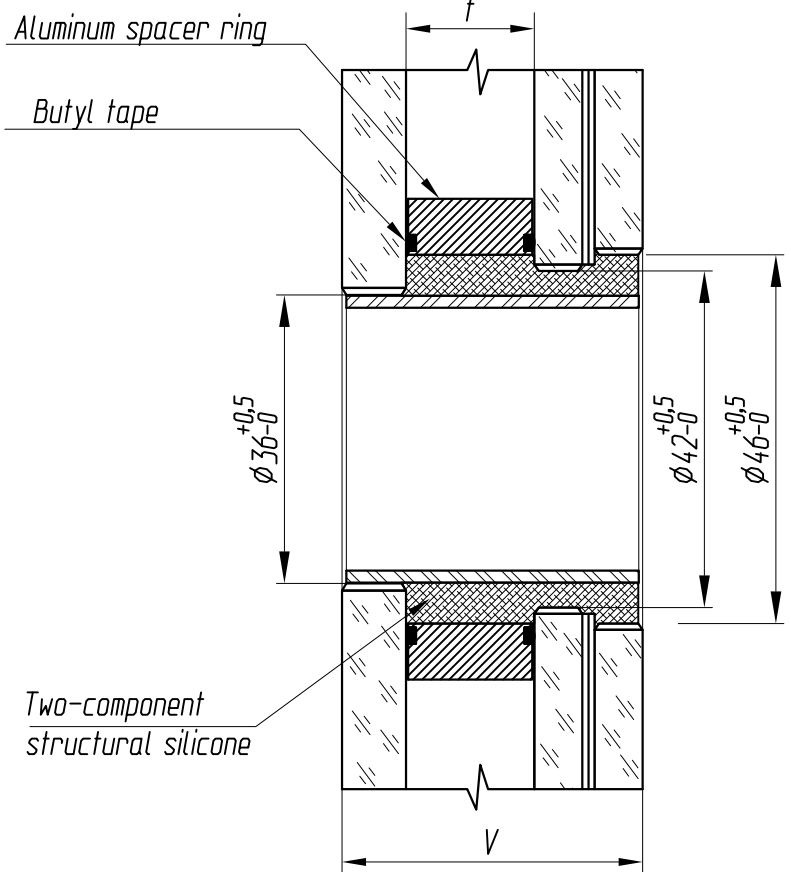
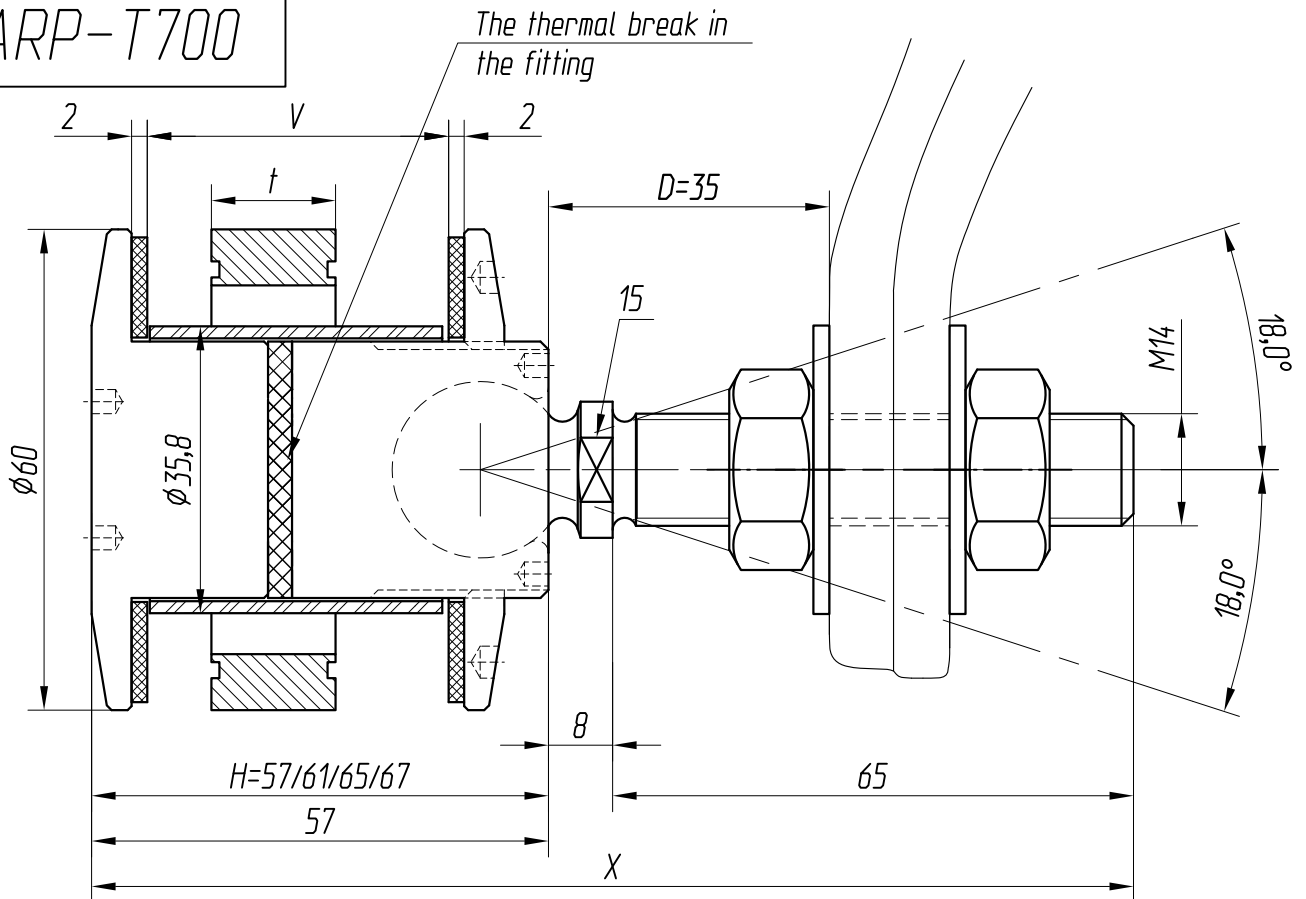


ARP-T700



V - glass thickness

t - spacing ring

ARP-T700 swivel fitting, with thermal break, non-fluch - insulated glass unit