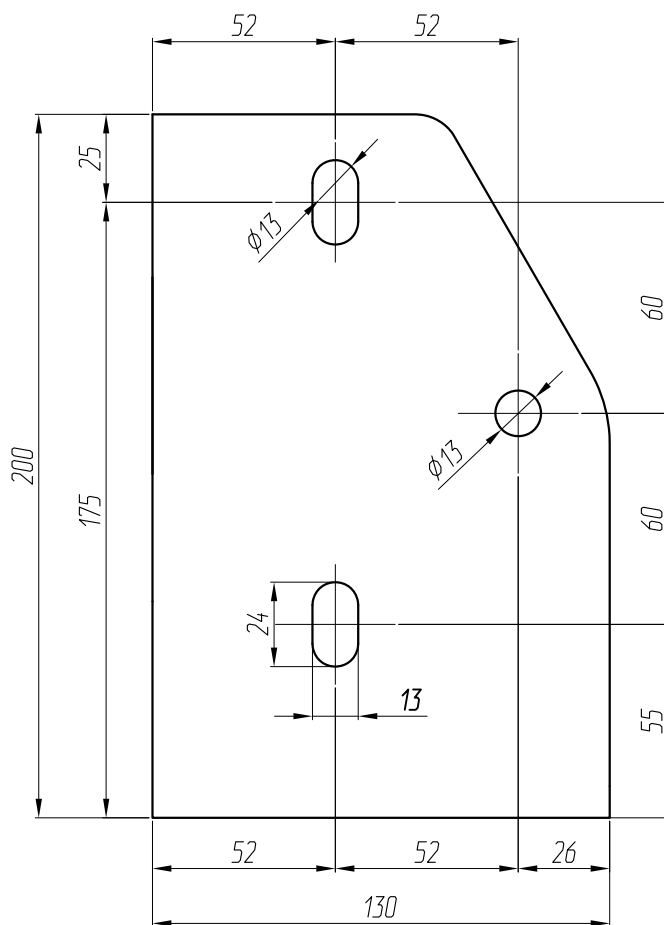
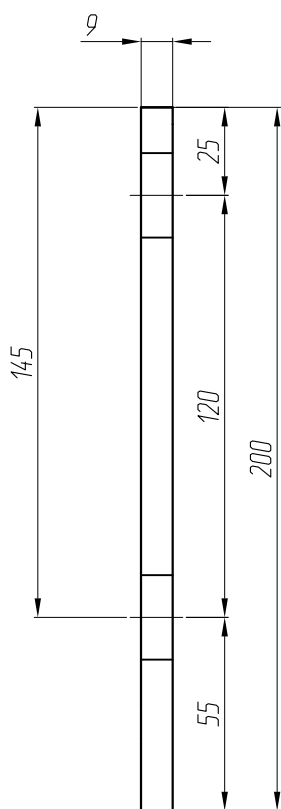


ARP-100-P-B



AISI 316

Weight: 1,80 kg

WWW.ARPRUS.COM

INFO@ARPRUS.COM