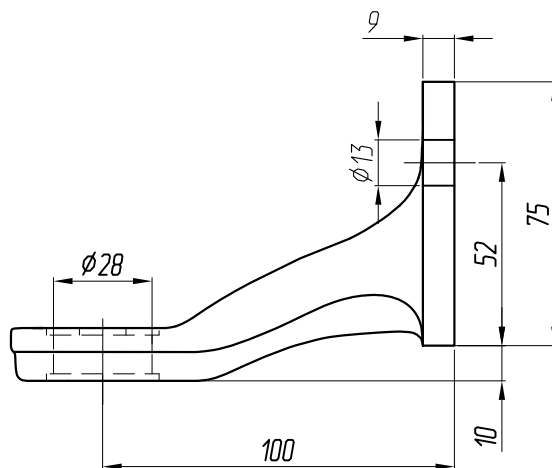
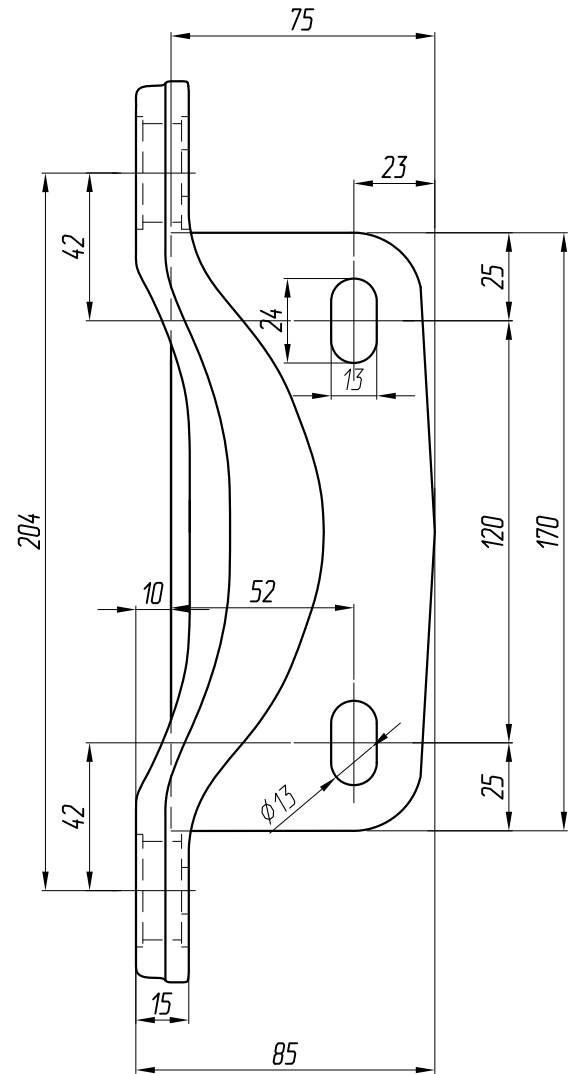
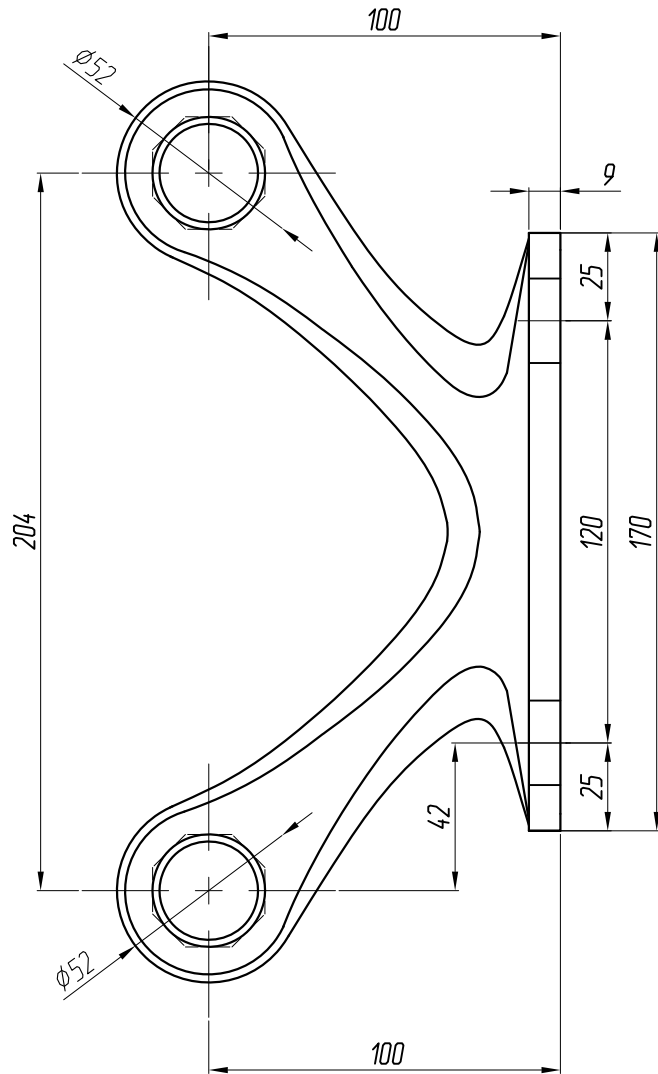


ARP-100-2dt



AISI 316
Weight: 2,30 kg

WWW.ARPRUS.COM
INFO@ARPRUS.COM