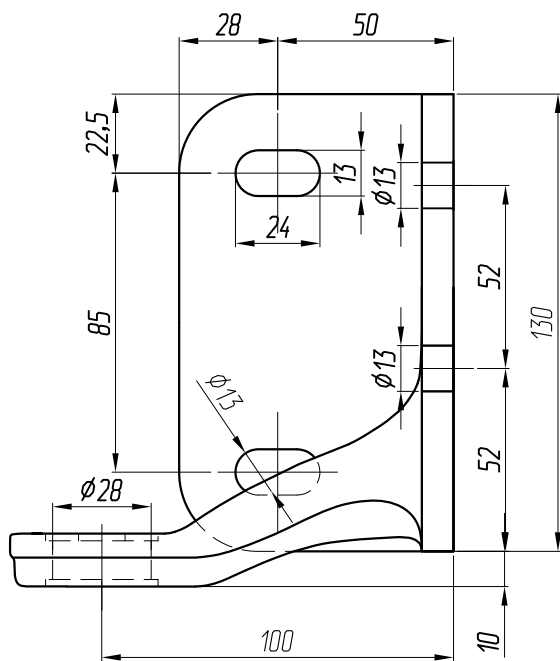
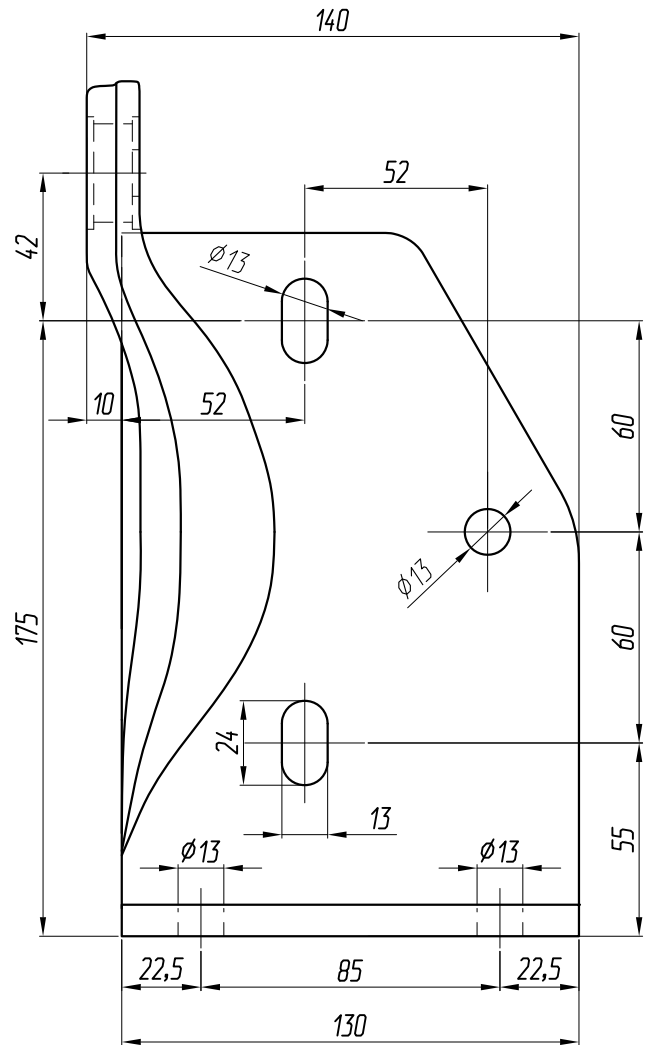
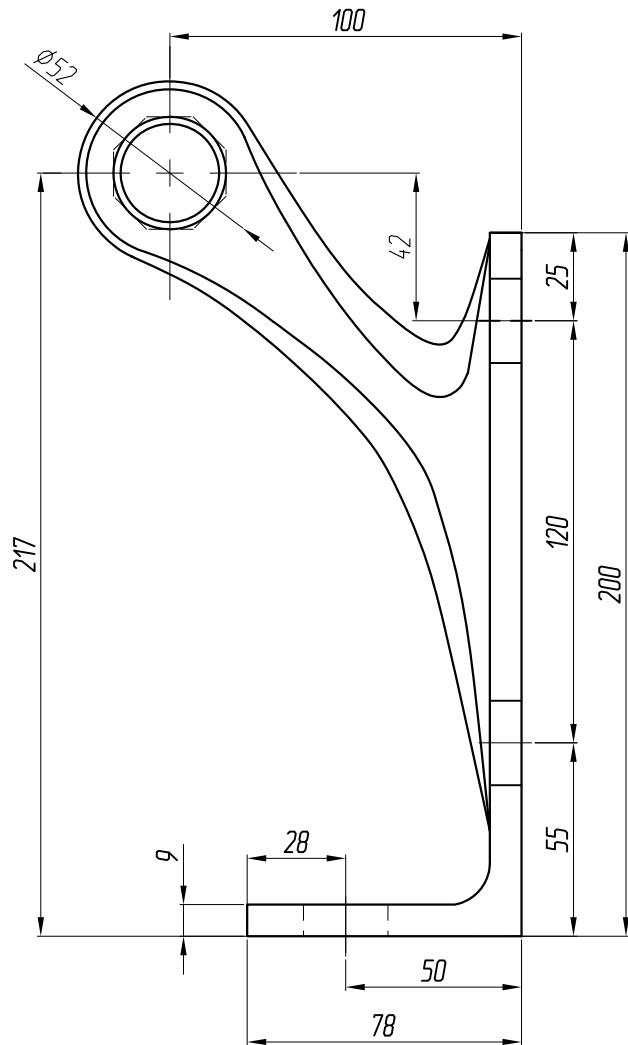


ARP-100-1dt-90-PL



AISI 316

Weight: 3,00 kg

WWW.ARPRUS.COM

INFO@ARPRUS.COM